



PUMP MANUFACTURING, INC.

4849 Cranswick Rd. Houston, TX 77041

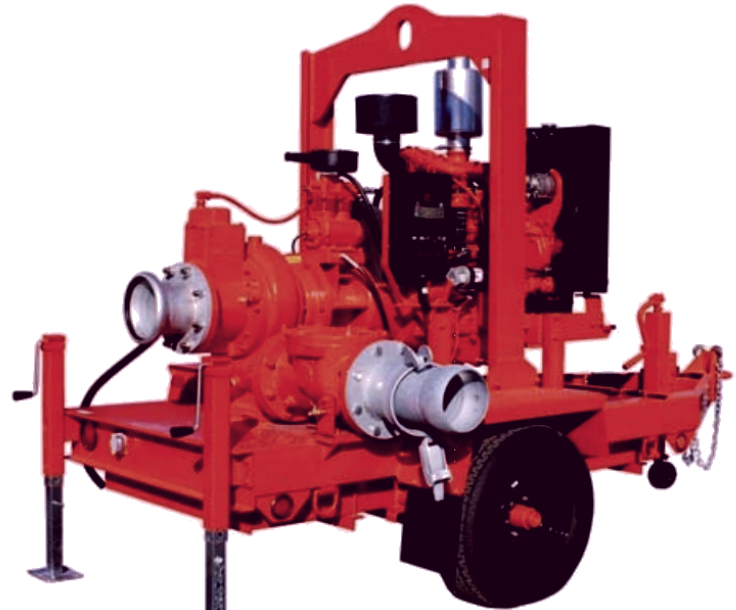
Amco225 8" Pump Specifications

sales@amcopumps.com www.amcopumps.com 281.739.1003

At Amco, we put customer satisfaction first. We offer high-quality, high-efficiency pumps at competitive prices, making us an easy choice for your pump solutions. We stand behind our pumps, offering a 2-year warranty and customer support that will respond within 24 hours of your inquiry.

The Amco225 autopriming trash pump generates flow rates up to 3250 US gpm and has capacity to handle solids up to 3" in diameter.

Our pump is ideal for dewatering and bypass applications. The Amco225 automatically primes up to 28' of suction lift from dry. Complete with a liquid bath mechanical seal, this pump can dry-run for extended periods of time.



A typical picture of the pump is shown. Please contact Amco Pump Manufacturing for further details. All information is approximate and for general guidance only.

- Centrifugal pump coupled to a diesel engine
- Safe for dry-run applications
- Continuous Venturi priming
- Durably constructed using cast iron and steel
- Numerous applications; the pump handles sewage, slurries, and liquids with solids up to 3" in diameter!
- Minimal maintenance, typically limited to checking fluid levels and filters

SPECIFICATIONS

Max. Flow	3250 US gpm (738.1 m ³ /hr)
Max. Solids Handling	3.0"
Suction Connection	8"
Delivery Connection	8"
Max. Impeller Diameter	11"
Max. Operating Temperature	170° F
Diesel Tank	140 Gallons
Max. Head	174 feet (53.0 meters)
Max. Operating Speed	2200 rpm



CONSTRUCTION



INDUSTRIAL



MARINE



MINING



OIL & GAS



WATER PARKS



WATER TREATMENT



PUMP MANUFACTURING, INC.

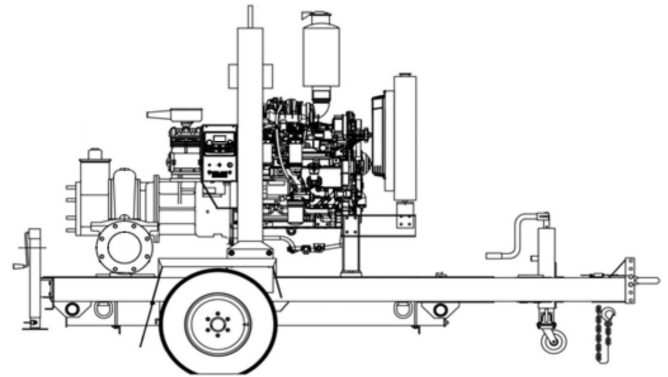
4849 Cranswick Rd. Houston, TX 77041

Amco225 8" Pump Specifications

sales@amcopumps.com www.amcopumps.com 281.739.1003

MATERIALS

Casting and Suction Cover	Cast iron Corrosion resistance or extra wear coating available
Shaft	Carbon steel
Impeller	Cast steel Hardness to 240 HB Brinell
Wear Plate	Cast iron
Mechanical Seal	Silicon carbide face; Viton elastomer; Stainless steel body



Standard Engine Options:

1. JCB 4.4L ECOMAX-444TA4-81 - 108HP @ 2200 RPM
2. KUBOTA V3800-TIEF4B-KEA-1 SCR-DOC_DPF - 114HP @ 2600 RPM
3. PERKINS 4.4L 1204F-E44TA 109HP @ 2200 RPM

